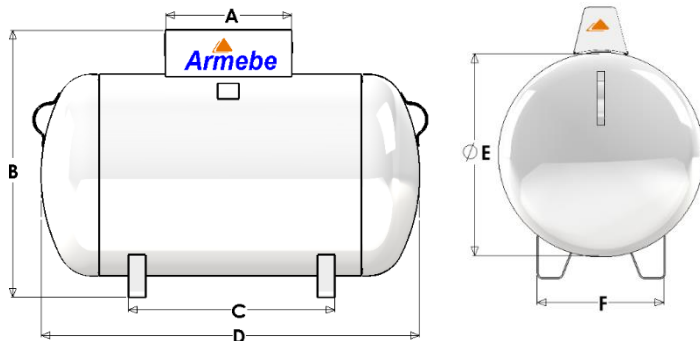


TANQUE ESTACIONARIO (STATIONARY TANKS)



- A.- LONGITUD DEL PROTECTOR
(PROTECTOR LENGTH)
- B.- ALTURA
(HEIGHT)
- C.- DISTANCIA ENTRE SOPORTES
(DISTANCE BETWEEN SUPPORTS)
- D. - LONGITUD TOTAL
(OVERALL LENGTH)
- E.- DIÁMETRO DEL TANQUE
(TANK DIAMETER)
- F.- ANCHO ENTRE SOPORTES
(WIDTH BETWEEN SUPPORTS)

DIMENSIONES GENERALES (mm)

| MODELO | Capacidad (Litros) | A | B | C | D | ØE | F | Tara (kg) | Vaporización m³/hr |
|--------|--------------------|-----|-----|-------|-------|-----|-----|-----------|--------------------|
| E-100 | 100 | 381 | 584 | 467 | 864 | 406 | 284 | 43 | 1.109 |
| E-120 | 117 | 381 | 679 | 354 | 675 | 508 | 330 | 45 | 1.168 |
| E-180 | 175 | 381 | 823 | 354 | 725 | 610 | 395 | 64 | 1.391 |
| E-200 | 189 | 381 | 679 | 585 | 1,043 | 508 | 330 | 68 | 1.75 |
| E-300 | 278 | 381 | 823 | 585 | 1,094 | 610 | 395 | 85 | 2.225 |
| E-500 | 495 | 470 | 823 | 1,290 | 1,815 | 610 | 400 | 130 | 3.511 |

OVERALL DIMENSIONS (in)

| TYPE | Capacity (Gal) | A | B | C | D | ØE | F | Tare Weight (lb) | Vaporization ft³/hr |
|-------|----------------|------|------|------|------|------|------|------------------|---------------------|
| E-100 | 26.4 | 15.0 | 23.0 | 18.4 | 34.0 | 16.0 | 11.2 | 94.6 | 39.15 |
| E-120 | 30.9 | 15.0 | 26.7 | 13.9 | 26.6 | 20.0 | 13.0 | 99.0 | 41.24 |
| E-180 | 46.2 | 15.0 | 32.4 | 13.9 | 28.5 | 24.0 | 15.6 | 140.8 | 49.11 |
| E-200 | 49.9 | 15.0 | 26.7 | 23.0 | 41.1 | 20.0 | 13.0 | 149.6 | 61.79 |
| E-300 | 73.4 | 15.0 | 32.4 | 23.0 | 43.1 | 24.0 | 15.6 | 187.0 | 78.60 |
| E-500 | 130.8 | 18.5 | 32.4 | 50.8 | 71.5 | 24.0 | 15.7 | 286.0 | 123.96 |

**ACABADO: FOSFATIZADO CON APLICACIÓN ELECTROSTATICA DE PINTURA EN POLVO HORNEADO
FINISH: OUR TANKS HAVE ELECTROSTATIC POLYESTER POWDER COAT PAINT FOR MAXIMUM**

TANQUES MENHER S.A DE C.V, Coloso de Rodas N° 46, Col. Siete Maravillas, C.P. 07707, México, D.F.

Tel: 57479000, E-mail: ventas@armebe.com.mx

www.armebe.com.mx