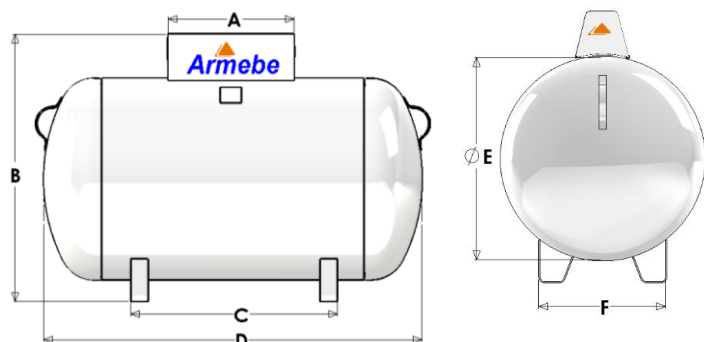


TANQUE ESTACIONARIO (STATIONARY TANKS)



- A.- LONGITUD DEL PROTECTOR
(PROTECTOR LENGTH)
- B.- ALTURA
(HEIGHT)
- C.- DISTANCIA ENTRE SOPORTES
(DISTANCE BETWEEN SUPPORTS)
- D. - LONGITUD TOTAL
(OVERALL LENGTH)
- E.- DIÁMETRO DEL TANQUE
(TANK DIAMETER)
- F.- ANCHO ENTRE SOPORTES
(WIDTH BETWEEN SUPPORTS)

DIMENSIONES GENERALES (mm)

MODELO	Capacidad (Litros)	A	B	C	D	ØE	F	Tara (kg)	Vaporización m³/hr
E-100	100	381	584	467	864	406	284	43	1.109
E-120	117	381	679	354	675	508	330	45	1.168
E-180	175	381	823	354	725	610	395	64	1.391
E-200	189	381	679	585	1,043	508	330	68	1.75
E-300	278	381	823	585	1,094	610	395	85	2.225
E-500	495	470	823	1,290	1,815	610	400	130	3.511
E-1000	946	470	1,006	1,387	2,247	762	457	229	5.412
E-1600	1,549	800	1,229	1,251	2,138	1,029	584	408	6.951
E-1800	1,770	800	1,229	1,257	2,370	1,029	584	497	7.871
E-2200	2,143	800	1,229	1,618	2,845	1,029	584	541	9.688
E-2800	2,760	800	1,229	2,177	3,642	1,029	584	668	11.637
E-3400	3,450	800	1,385	2,820	3,429	1,168	584	857	13.133
E-3800	3,724	800	1,229	3,353	4,773	1,029	584	1,034	15.519
E-5000	5,000	800	1,385	3,531	5,029	1,168	584	1,211	18.573

OVERALL DIMENSIONS (in)

TYPE	Capacity (Gal)	A	B	C	D	ØE	F	Tare Weight (lb)	Vaporization ft³/hr
E-100	26.4	15.0	23.0	18.4	34.0	16.0	11.2	94.6	39.15
E-120	30.9	15.0	26.7	13.9	26.6	20.0	13.0	99.0	41.24
E-180	46.2	15.0	32.4	13.9	28.5	24.0	15.6	140.8	49.11
E-200	49.9	15.0	26.7	23.0	41.1	20.0	13.0	149.6	61.79
E-300	73.4	15.0	32.4	23.0	43.1	24.0	15.6	187.0	78.60
E-500	130.8	18.5	32.4	50.8	71.5	24.0	15.7	286.0	123.96
E-1000	249.9	18.5	39.6	54.6	88.5	30.0	18.0	503.8	191.1
E-1600	409.2	31.5	48.4	49.3	84.2	40.5	23.0	897.6	245.5
E-1800	467.6	31.5	48.4	49.5	93.3	40.5	23.0	1093.4	277.9
E-2200	566.2	31.5	48.4	63.7	112.0	40.5	23.0	1190.2	342.1
E-2800	729.2	31.5	48.4	85.7	143.4	40.5	23.0	1469.6	410.9
E-3400	911.5	31.5	54.5	111.0	135.0	46.0	23.0	1885.4	463.7
E-3800	983.9	31.5	48.4	132.0	187.9	40.5	23.0	2274.8	548.0
E-5000	1321.0	31.5	54.5	139.0	198.0	46.0	23.0	2664.2	655.8

ACABADO: FOSFATIZADO CON APLICACIÓN ELECTROSTÁTICA DE PINTURA EN POLVO HORNEADO
FINISH: OUR TANKS HAVE ELECTROSTATIC POLYESTER POWDER COAT PAINT FOR MAXIMUM

TANQUES MENHER S.A DE C.V, Coloso de Rodas N° 46, Col. Siete Maravillas, C.P. 07707, México, D.F.

Tel: 57479000, E-mail: ventas@armebe.com.mx

www.armebe.com.mx